

T6

IoT tracking device

T6 is a small IoT device for long-term tracking and data monitoring of assets and equipment globally.

Featuring robust casing with long battery life, it comes with advanced and intelligent sensor technology.

It connects using the newest global LTE network technology.



LTE



Battery



IP69k casing



Position



Radio beacon



Motion



Shock



Tilt



Light



Utilization



External tags



Temperature



T6 is a small IoT tracking device and data logger that offers **asset monitoring and data tracking** of any asset; from non-powered equipment to entire fleets.

Its **robust casing** is suited for all industrial environments and all-weather conditions with an operating temperature range from -30°C to $+85^{\circ}\text{C}$. Battery life-time is typical 7 years based on 1 transmission/day.

The device uses the low power communication technology **LTE** to send transmissions to a server. Transmissions can be set at user-fixed intervals and if specified events occur.

Devices out of mobile coverage will **log data input** until coverage is available again.

A built-in **3-axis accelerometer** offers high-precision data on motion, shock and orientation, while other

sensors track light and temperature. Available **external wireless RHT and RFID-tags** offer humidity sensor and additional temperature data.

Position data is acquired by **GPS** or via mobile network triangulation if GPS is not available. A built-in radio beacon can be activated for close-range location.

Data can be viewed on a cloud-based data portal that provides **complete visibility and data analytics**. It provides insights on location, performance, and status of assets and equipment. Data is available on maps, in graphs and in reports. API options are available.

Devices are in operation all over the world in industries like construction, theft recovery, wind, and logistics.

Specifications

Type:	T6.400
Battery lifetime	Typically 7000 transmissions based on 1 transmission/day *
Sensors	Position, Motion, Tilt, Light, Utilization, 3-axis Shock (up to 8 g)
Data log	Store-and-forward log, default 300 entries of all data incl. position and sensor data
Antenna, GPS	Internal
Antenna, LTE/2G	Internal
Antenna, radio	Internal
Radio beacon	UHF
Network technology	LTE Cat M1 / GSM EGPRS (850/900/1800/1900MHz)
SIM	Embedded, subscription required
Server communication	LTE/2G
Server protocols	API available upon request
Configuration	Via server
External tag connectivity	Yes
Housing	PA6 (nylon) potted with epoxy
IP rating	IP69k
Maximum allowed continuous acceleration	8 g
Dimensions	68 x 68 x 45 mm
Weight	280 gram
Battery package	47 Wh (primary lithium, encapsulated)
Lithium content	3,8 gram
Temperature, operating	-30 °C to +85 °C
Temperature, storage	+30 °C max (recommended)
ADR	UN3091
US content	0%
ECCN	EAR99
HS (TARIC export) code	8526912020
Country of origin	Made in Denmark

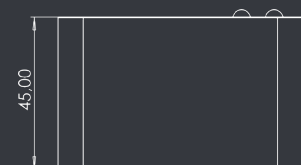
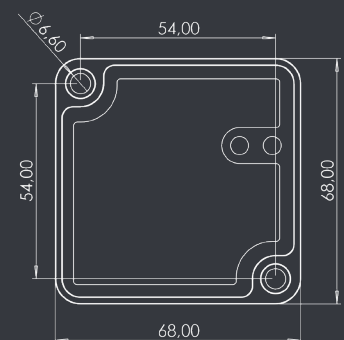
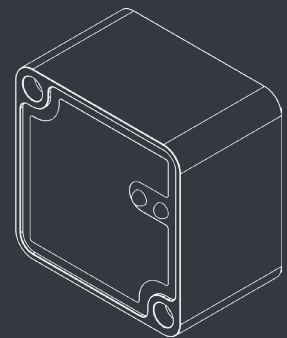
Typical number of transmissions

Network	LTE	LTE/2G **	2G
1 transmission/day	7000	6000	5000
4 transmissions/day	10000	8000	7000
24 transmissions/day	11000	9000	8000

Without GPS, add 10% to above

*) Depending on signal and temperature conditions

**) 50% LTE and 50% 2G



Version 1.2 - Subject to change without notice.
This data sheet references to firmware 3.54 or newer.